

Butterfly valves

VM



Description

The VM series of butterfly valves (Wafer) are used in heating, refrigeration and air-conditioning systems for the flow control of heated or chilled water for domestic and industrial applications. The valves can be coupled with our 24 or 230 VAC modulating or 2-3 points actuators with or without auxiliary switches.

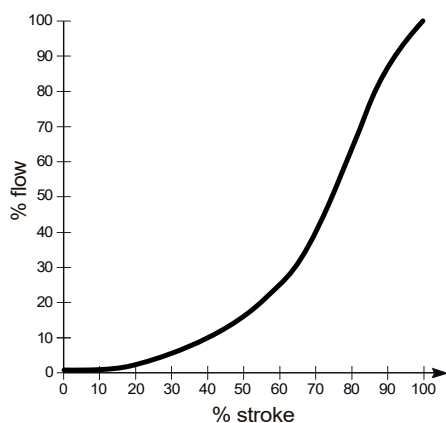
Technical specifications

Fluid	Hot and cold water (with glycole max. 50%)
Valve size	DN40 - DN150
Control flow characteristics	Equal-percentage
Body	Aluminium ADC12
Seat	EPDM
Shaft	X30Cr13 (AISI 420)
Disk	Nodular iron GJS500
Max working pressure	PN10
Maintenance	free
Water temperature	-15...+90°C
Storage temperature	+20...+80°C, dry and dust-free, far from direct sunlight
Standards	CE-conformity, RoHS



Models	KVs	Max diff. pressure (bar)	Actuator type
VM 40	50	12	S16..
VM 50	126	10	S16..
VM 65	226	8	S16..
VM 80	390	8	S16..
VM 100	620	6	S16..
VM 125	860	6	S24..
VM 150	1710	4	S32..

Flow control characteristic

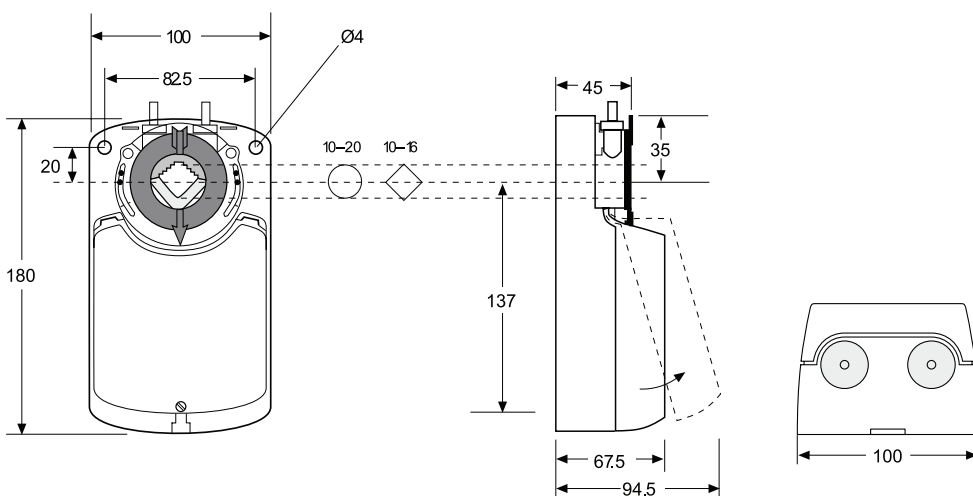
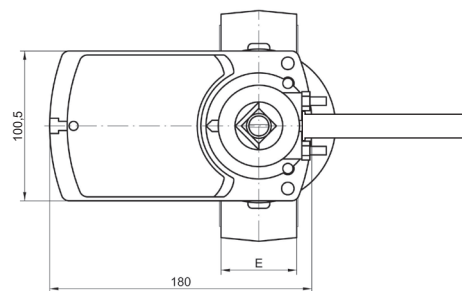
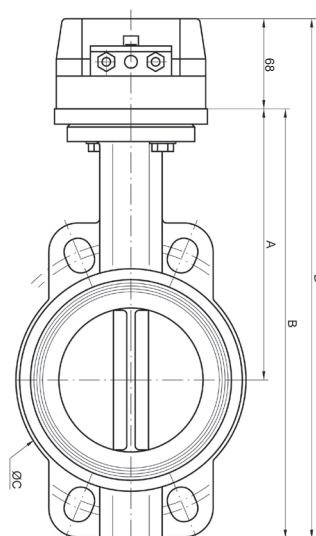


The flow characteristic of VM valves is equipercantage (see diagram).



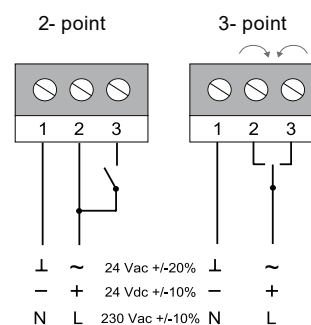
■ Dimensions (mm)

DN	A	B	C	D	E
40	151	217	83	284	33
50	166	239	104	306	43
65	172	258	121	325	46
80	170	260	132	327	46
100	187	295	154	362	52
125	205	324	189	391	56
150	217	349	218	416	56

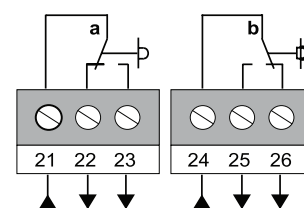


Electrical wirings for models at 2 / 3 points

Wiring diagram

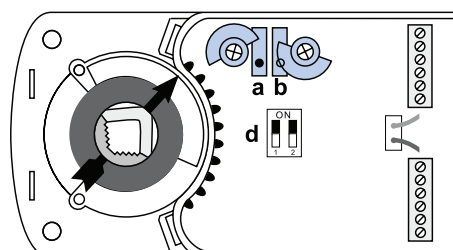


Auxiliary switches

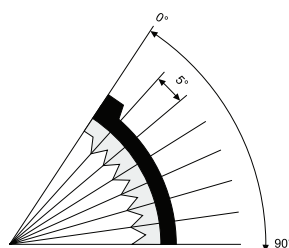


Auxiliary switch adjustment

Factory setting:
switch a at 10°
switch b at 80°
The switching position can be changed manually.



Angle of rotation limiting



Adapter release

